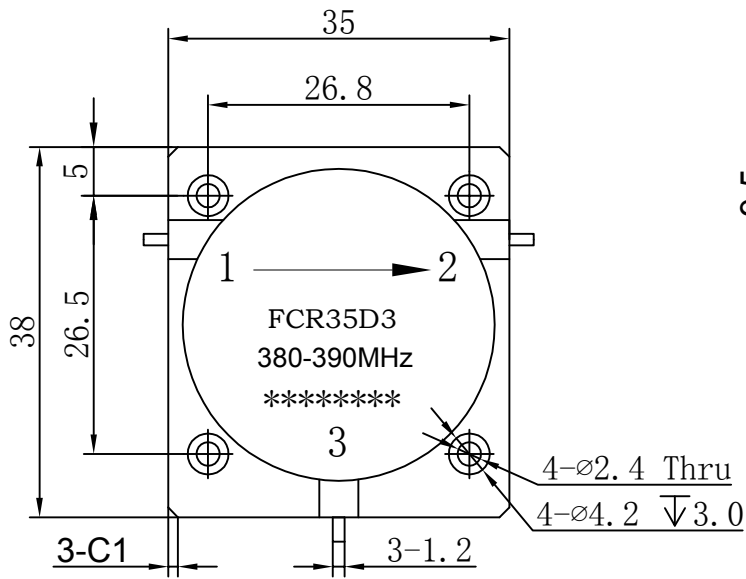




Drop-in Circulator

FCR35D3 380-390MHz



- Note:
- 1.Tolerances: ± 0.20 mm
 - 2.Material
BODY: Steel
TAB: BeCu
 - 3.Surface Treatment
BODY: Nickel plate
TAB: Silver Plated

Item	Unit	Specification	Note
Freq.Range	MHz	380-390	
Direction		CW/Right	
Operating Temperature	°C	-10~+70	
Insertion Loss	dB max	0.30	Room Temp (+25°C \pm 10°C)
	dB max	0.30	Over Temp (-10°C~+70°C)
Isolation	dB min	20	Room Temp (+25°C \pm 10)
	dB min	20	Over Temp (-10°C~+70°C)
Return Loss	dB min	20	Room Temp (+25°C \pm 10)
	dB min	20	Over Temp (-10°C~+70°C)
Avg Power	W	100	
Impedance	Ω	50	

Customer suggestion and confirmation:

Signature:

Date:

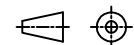
Design: Colin

Format Scale Version

A4 1:1 A

Date: 2019.6.18

Page 1, Total 1



Unit: mm

www.winnsky.com