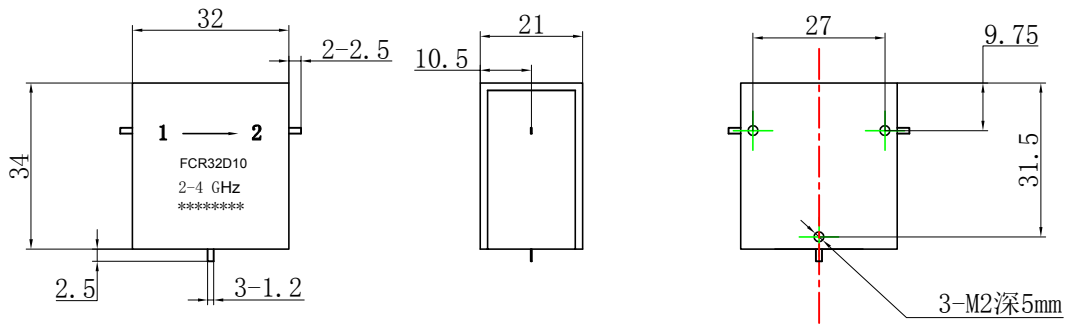




Drop-in Circulator

FCR32D10 2-4GHz



Note:
 1.Tolerances: $\pm 0.10\text{mm}$
 2.Material
 BODY: Steel TAB: BeCu

| Item | Unit | Specification | Note |
|-----------------------|----------|---------------|--------------------------|
| Freq.Range | GHz | 2-4 | |
| Direction | | CW/Right | |
| Operating Temperature | °C | 0~+70 | |
| Insertion Loss | dB max | 0.50 | Room Temp (+25°C ± 10°C) |
| | dB max | 0.50 | Over Temp (-0°C ~ +70°C) |
| Isolation | dB min | 18 | Room Temp (+25°C ± 10) |
| | dB min | 18 | Over Temp (-0°C ~ +70°C) |
| Return Loss | dB min | 18 | Room Temp (+25°C ± 10) |
| | dB min | 18 | Over Temp (-0°C ~ +70°C) |
| Pass Power | W | 100 | |
| Impedance | Ω | 50 | |

Customer suggestion and confirmation:

Signature:

Date:

Design: Colin

Format Scale Version

A4 1:1 A

Date: 2019.8.23

Page 1, Total 1



Unit: mm

www.winnsky.com