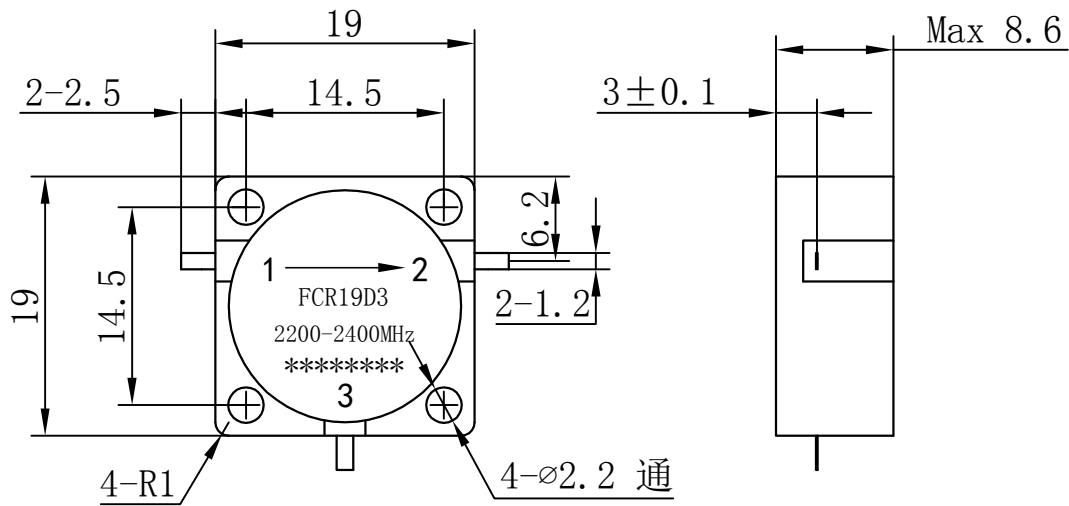




Drop-in Circulator

FCR19D3 2200-2400MHz



Note:

- 1.Tolerances:  $\pm 0.20\text{mm}$
- 2.Material  
BODY: Steel  
TAB: BeCu
- 3.Surface Treatment  
BODY: Nickel plate  
TAB: Silver Plated

Item	Unit	Specification	Note
Freq.Range	MHz	2200-2400	
Direction		CW/Right	
Operating Temperature	°C	-40~+85	
Insertion Loss	dB max	0.35	Room Temp (+25°C±10°C)
	dB max	0.40	Over Temp (-40°C~+85°C)
Isolation	dB min	20	Room Temp (+25°C±10)
	dB min	18	Over Temp (-40°C~+85°C)
Return Loss	dB min	20	Room Temp (+25°C±10)
	dB min	18	Over Temp (-40°C~+85°C)
Avg Power	W	100	
Impedance	$\Omega$	50	

Customer suggestion and confirmation:

Signature:

Date:

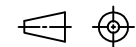
Design: Colin

Format Scale Version

A4 1:1 A

Date: 2020.2.24

Page 1, Total 1



Unit: mm

www.winnsky.com