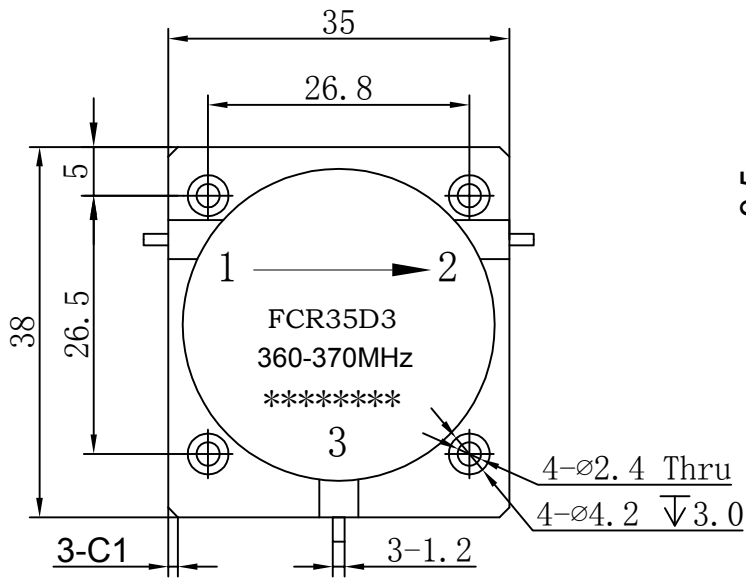




Drop-in Circulator

FCR35D3 360-370MHz



Item	Unit	Specification	Note
Freq.Range	MHz	360-370	
Direction		CW/Right	
Operating Temperature	°C	-10~+70	
Insertion Loss	dB max	0.30	Room Temp (+25°C ± 10°C)
	dB max	0.30	Over Temp (-10°C ~ +70°C)
Isolation	dB min	20	Room Temp (+25°C ± 10)
	dB min	20	Over Temp (-10°C ~ +70°C)
Return Loss	dB min	20	Room Temp (+25°C ± 10)
	dB min	20	Over Temp (-10°C ~ +70°C)
Avg Power	W	100	
Impedance	Ω	50	

Customer suggestion and confirmation:

Signature:

Date:

Note:

1.Tolerances: ±0.20mm

2.Material

BODY: Steel

TAB: BeCu

3.Surface Treatment

BODY: Nickel plate

TAB: Silver Plated

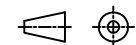
Design: Colin

Format Scale Version

A4 1:1 A

Date: 2019.6.18

Page 1, Total 1



Unit: mm

www.winnsky.com