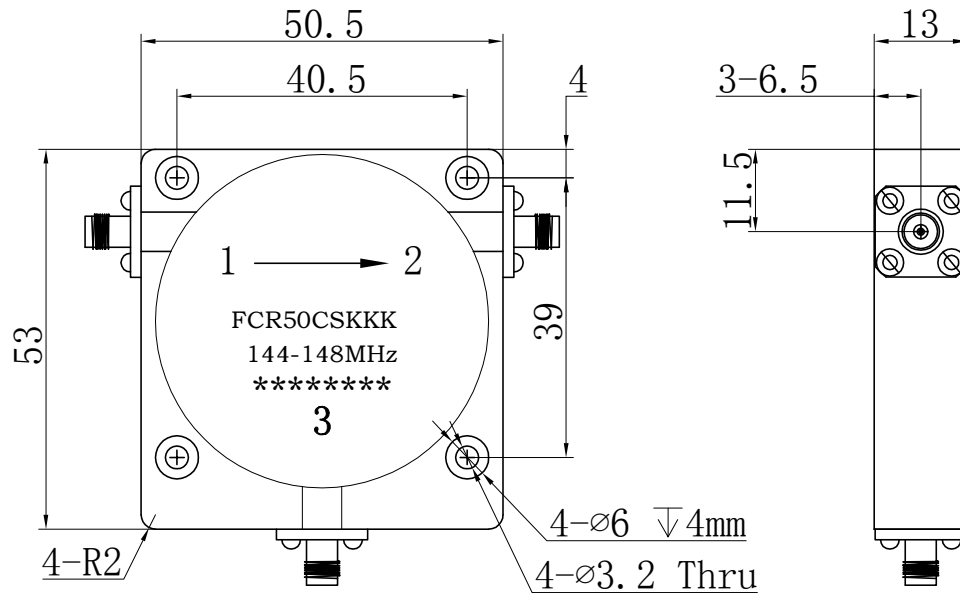




Coaxial Circulator

FIR50CSKKK 144-148MHz



Note:
 1.Tolerances: $\pm 0.10\text{mm}$
 2.Material
 BODY: Steel TAB: BeCu

Item	Unit	Specification	Note
Freq.Range	MHz	144-148	
Direction		CW/Right	
Operating Temperature	°C	-10~+70	
Insertion Loss	dB max	0.50	Room Temp (+25°C ± 10°C)
	dB max	0.55	Over Temp (-10°C ~ +70°C)
Isolation	dB min	24	Room Temp (+25°C ± 10)
	dB min	20	Over Temp (-10°C ~ +70°C)
VSWR	MAX	1.20	Room Temp (+25°C ± 10)
	MAX	1.20	Over Temp (-10°C ~ +70°C)
Avg Power	W	100	
Impedance	Ω	50	

Customer suggestion and confirmation:

Signature:

Date:

Design: Colin

Format Scale Version

A4 1:1 A

Date: 2020.3.2

Page 1, Total 1



Unit: mm

www.winnsky.com