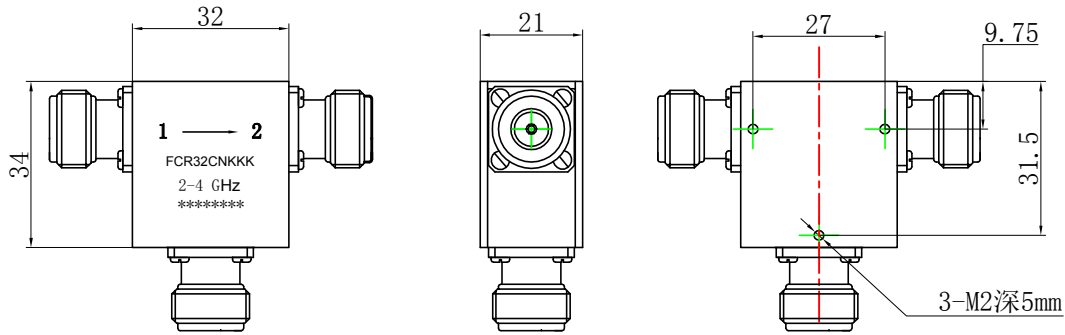




## Coaxial Circulator

FCR32CNKKK 2-4GHz



Note:  
 1.Tolerances:  $\pm 0.10\text{mm}$   
 2.Material  
 BODY: Steel TAB: BeCu

Item	Unit	Specification	Note
Freq.Range	GHz	2-4	
Direction		CW/Right	
Operating Temperature	°C	0~+70	
Insertion Loss	dB max	0.50	Room Temp (+25°C ± 10°C)
	dB max	0.50	Over Temp (-0°C ~ +70°C)
Isolation	dB min	18	Room Temp (+25°C ± 10)
	dB min	18	Over Temp (-0°C ~ +70°C)
Return Loss	dB min	18	Room Temp (+25°C ± 10)
	dB min	18	Over Temp (-0°C ~ +70°C)
Avg Power	W	50	
Impedance	$\Omega$	50	

Customer suggestion and confirmation:

Signature:

Date:

Design: Colin

Format Scale Version

A4 1:1 A

Date: 2019.8.23

Page 1, Total 1



Unit: mm

[www.winnsky.com](http://www.winnsky.com)