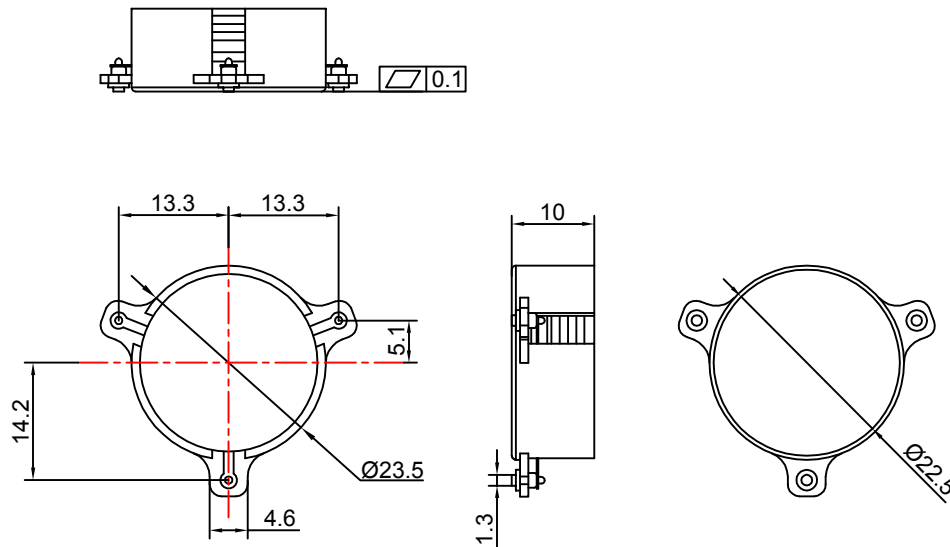




SMD Circulator

FCR23.5S 869-928MHz



- Note:
- 1.Tolerances: $.x\pm 0.20\text{mm}$
 - 2.Material
 BODY: Steel
 TAB: BeCu
 PIN: Copper
 - 3.Surface Treatment
 BODY: Silver Plated
 TAB: Silver Plated
 PIN: Gold Plated

Item	Unit	Specification	Note
Freq.Range	MHz	869-928	
Direction		CW/Right	
Operating Temperature	°C	-40~+85	
Insertion Loss	dB max	0.25	Room Temp (+25°C ± 10°C)
	dB max	0.30	Over Temp (-40°C ~ +85°C)
Isolation	dB min	22	Room Temp (+25°C ± 10)
	dB min	22	Over Temp (-40°C ~ +85°C)
Return Loss	dB min	22	Room Temp (+25°C ± 10)
	dB min	22	Over Temp (-40°C ~ +85°C)
Avg Power	W	200	
Peak Power	W	500	
Impedance	Ω	50	

Customer suggestion and confirmation:

Signature:

Date:

Design: Colin

Format Scale Version

A4 1:1 A

Date: 2019.1.19

Page 1, Total 1



Unit: mm

www.winnsky.com