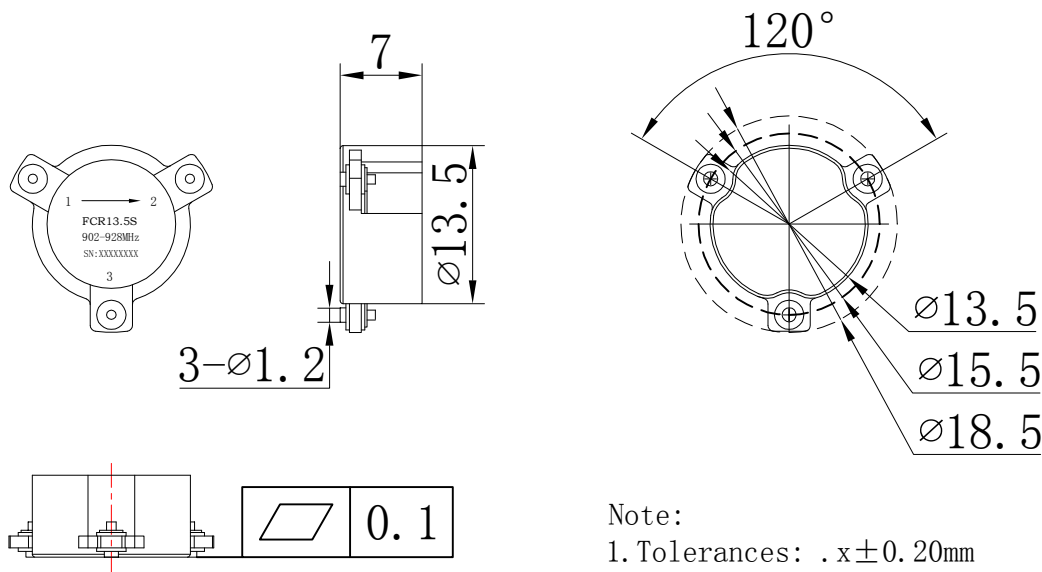




SMD Circulator

FCR13.5S 902-928MHz



- Note:
1. Tolerances: . x±0.20mm
 2. Material
 BODY: Steel
 TAB: BeCu
 PIN: Copper
 3. Surface Treatment
 BODY: Silver Plated
 TAB: Silver Plated
 PIN: Gold Plated

Item	Unit	Specification	Note
Freq.Range	MHz	902-928	
Direction		CW/Right	
Operating Temperature	°C	-40~+85	
Insertion Loss	dB max	0.50	Room Temp (+25°C±10°C)
	dB max	0.50	Over Temp (-40°C~+85°C)
Isolation	dB min	20	Room Temp (+25°C±10)
	dB min	20	Over Temp (-40°C~+85°C)
VSWR	MAX	1.25	Room Temp (+25°C±10)
	MAX	1.25	Over Temp (-40°C~+85°C)
Pass Power	W	30	
Impedance	Ω	50	

Customer suggestion and confirmation:

Signature:

Date:

Design: Colin

Format Scale Version

A4 1:1 A

Date: 2019.11.21

Page 1, Total 1



Unit: mm

www.winnsky.com