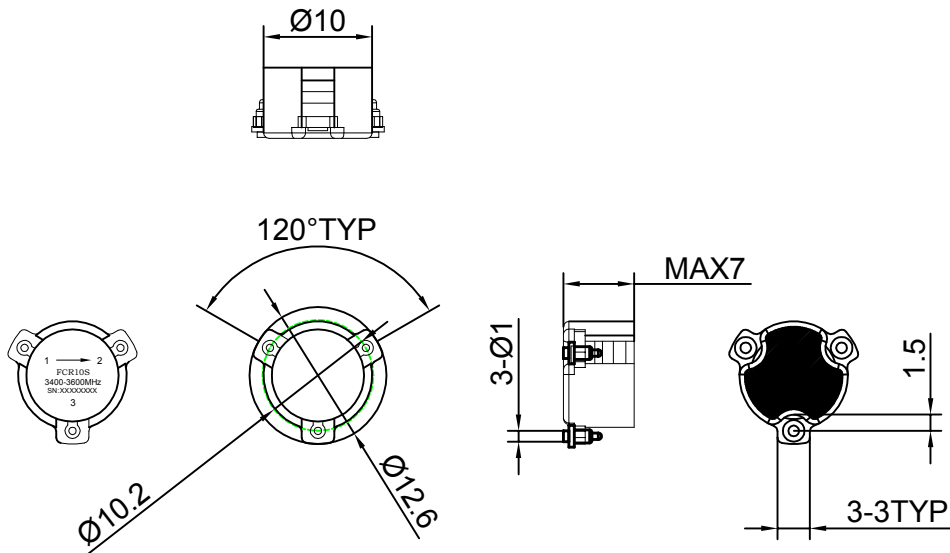




SMD Circulator

FCR10S 3400-3600MHz



Note:
 1.Tolerances: .x±0.20mm
 2.Material
 BODY: Steel
 TAB: BeCu
 PIN: Copper
 3.Surface Treatment
 BODY: Silver Plated
 TAB: Silver Plated
 PIN: Gold Plated

Item	Unit	Specification	Note
Freq.Range	MHz	3400-3600	
Direction		CW/Right	
Operating Temperature	°C	-40~+105	
Insertion Loss	dB max	0.19	Room Temp (+25°C ± 10°C)
	dB max	0.21	Over Temp (-40°C ~ +105°C)
Isolation	dB min	21	Room Temp (+25°C ± 10)
	dB min	21	Over Temp (-40°C ~ +105°C)
Return Loss	dB min	22	Room Temp (+25°C ± 10)
	dB min	22	Over Temp (-40°C ~ +105°C)
Avg Power	W	20	
Impedance	Ω	50	

Customer suggestion and confirmation:

Signature:

Date:

Design: Colin

Format Scale Version

A4 1:1 A

Date: 2016.7.11

Page 1, Total 1

Unit: mm

www.winnsky.com