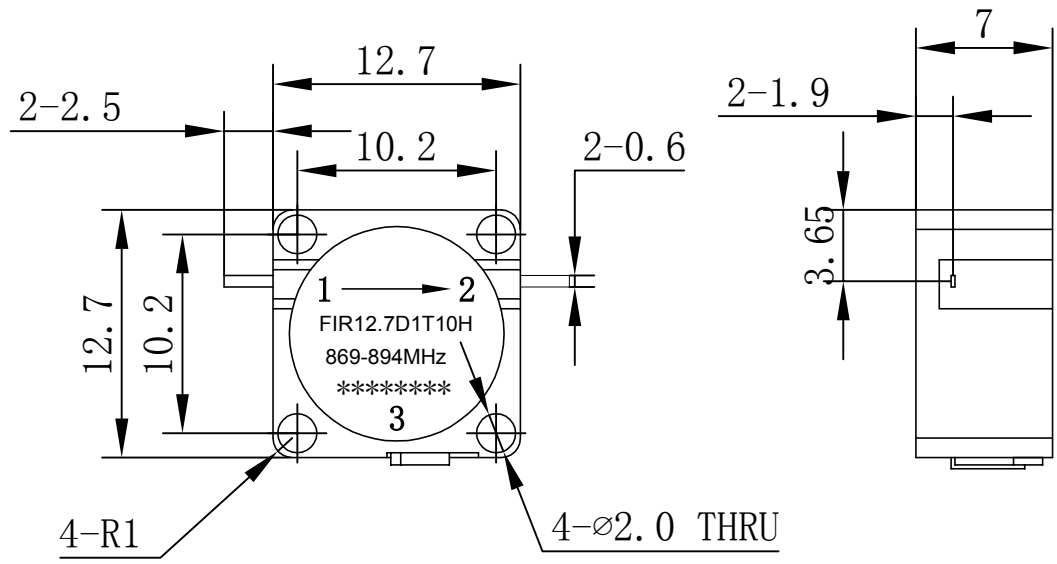




Drop-in Isolator

FIR12.7D1T10H 869-894MHz



- Note:
- 1.Tolerances: $\pm 0.20\text{mm}$
 - 2.Material
BODY: Steel
TAB: BeCu
 - 3.Surface Treatment
BODY: Nickel plate
TAB: Silver Plated

Item	Unit	Specification	Note
Freq.Range	MHz	869-894	
Direction		CW/Right	
Operating Temperature	°C	-40~+85	
Insertion Loss	dB max	0.45	Room Temp (+25°C ± 10°C)
	dB max	0.45	Over Temp (-40°C ~ +85°C)
Isolation	dB min	20	Room Temp (+25°C ± 10)
	dB min	20	Over Temp (-40°C ~ +85°C)
VSWR	MAX	1.20	Room Temp (+25°C ± 10)
	MAX	1.20	Over Temp (-40°C ~ +85°C)
Avg Power	W	10	
Impedance	Ω	50	

Customer suggestion and confirmation:

Signature: _____ Date: _____

Design: Colin	Format	Scale	Version
	A4	1:1	A
Date: 2020.3.31	Page 1, Total 1		
			Unit: mm

www.winnsky.com