

DESIGN	CHECK	APPROVAL	

DIELECTRIC FILTER SAMPLE SPECIFICATION

Part No.: DFB2492T10EA

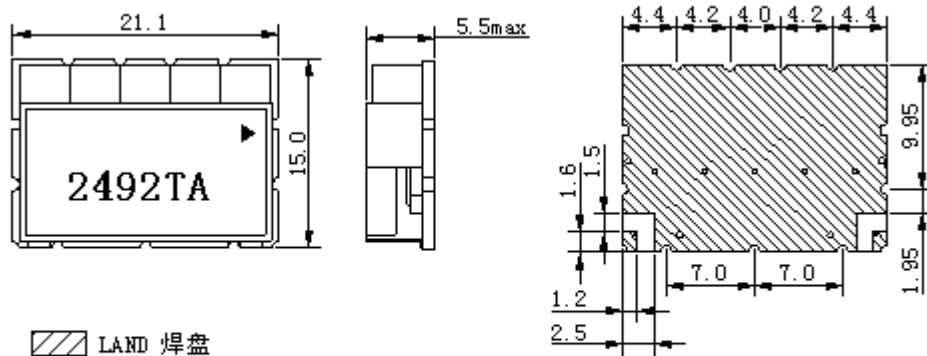
Customer:


Date: 2010-04-26

ELECTRICAL SPECIFICATIONS

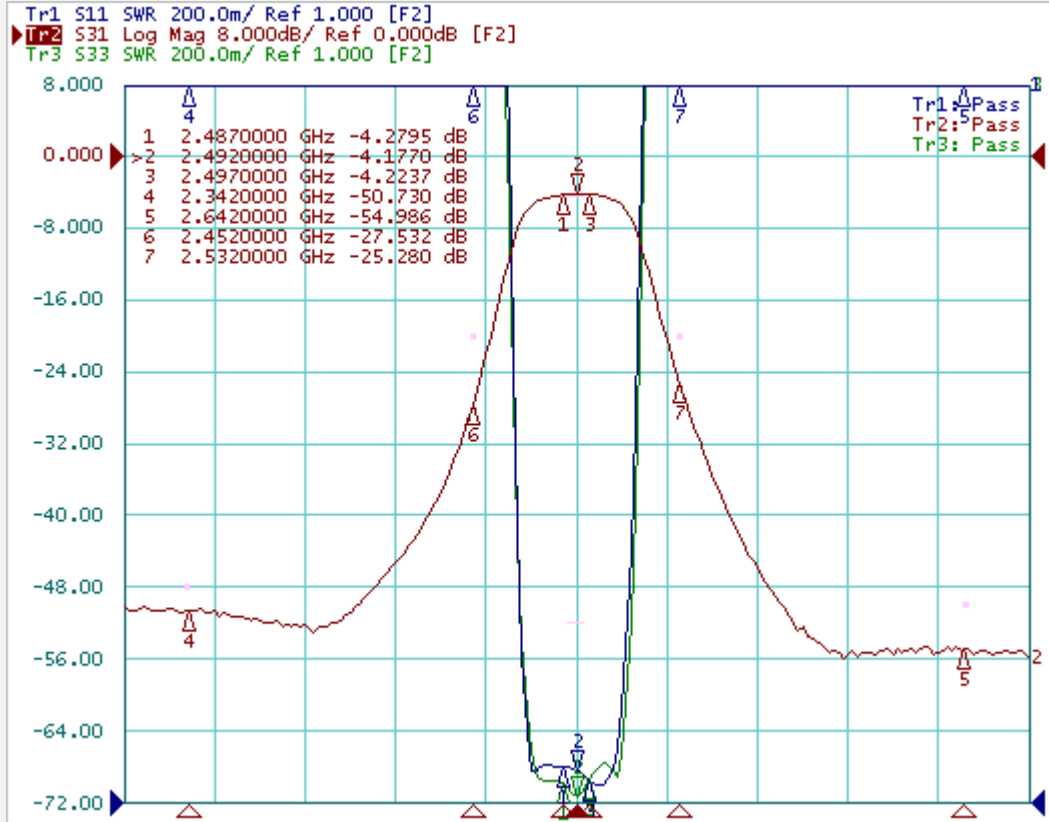
ITEM		SPEC	Unit
1	Center Frequency [fo]	2492.00	MHz
2	Bandwidth [BW]	$f_0 \pm 5.0$ [2487~2497MHz]	MHz
3	Insertion Loss in BW	4.5max.	dB
4	Ripple (in BW)	1.0 max	dB
5	V S W R	1.6:1 max.	Radio
6	Attenuation [Absolute Value]	20.0 min. @ $f_0 \pm 40$ MHz 48.0 min @ $f_0 \pm 150$ MHz	dB
7	In/Out Impedance	50	Ω
8	Operation Temperature Range	-40 to +85	$^{\circ}\text{C}$
9	Input power	1.0 max.	W

DIMENSIONS



 LAND 焊盘
 TOLERANCES UNLESS
 OTHERWISE SPECIFIED
 未注公差: ± 0.3
 Unit 单位: mm

Frequency characteristics



RECOMMENDED PC BOARD PATTERN