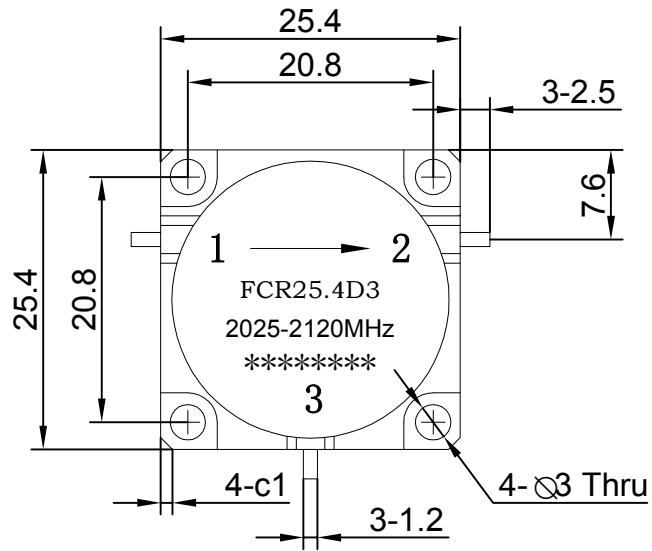




Drop-in Circulator

FCR25.4D3 2025-2120MH.



Note:

- 1.Tolerances: $\pm 0.20\text{mm}$
- 2.Material
BODY: Steel
TAB: BeCu
- 3.Surface Treatment
BODY: Nickel plate
TAB: Silver Plated

Item	Unit	Specification	Note
Freq.Range	MHz	2025-2120	
Direction		CW/Right	
Operating Temperature	°C	-40~+85	
Insertion Loss	dB max	0.30	Room Temp (+25°C±10°C)
	dB max	0.30	Over Temp (-40°C~+85°C)
Isolation	dB min	23	Room Temp (+25°C±10)
	dB min	23	Over Temp (-40°C~+85°C)
Return Loss	dB min	23	Room Temp (+25°C±10)
	dB min	23	Over Temp (-40°C~+85°C)
Group delay	ns	2	
Avg Power	W	300	
Impedance	Ω	50	

Customer suggestion and confirmation:

Signature:

Date:

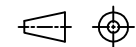
Design: Colin

Format Scale Version

A4 1:1 A

Date: 2016.7.11

Page 1, Total 1



Unit: mm

www.winnsky.com