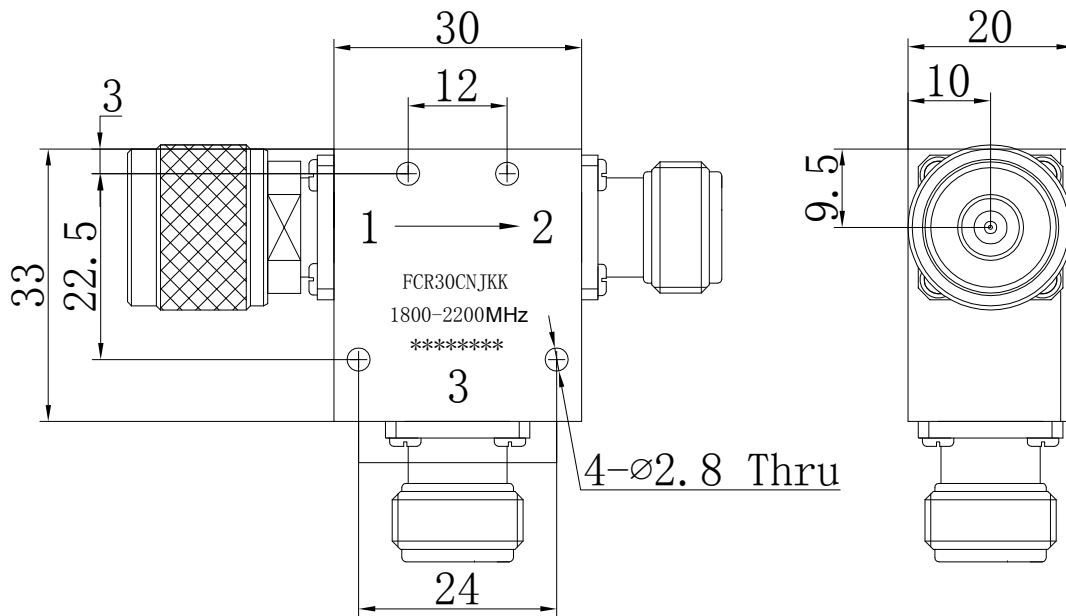




Coaxial Circulator

FCR30CNJJK 1800-2200MHz



Note:
 1.Tolerances: $\pm 0.10\text{mm}$
 2.Material
 BODY: Steel TAB: BeCu

Item	Unit	Specification	Note
Freq.Range	MHz	1800-2200	
Direction		CW/Right	
Operating Temperature	°C	-40~+85	
Insertion Loss	dB max	0.45	Room Temp (+25°C ± 10°C)
	dB max	0.45	Over Temp (-40°C ~ +85°C)
Isolation	dB min	18	Room Temp (+25°C ± 10)
	dB min	18	Over Temp (-40°C ~ +85°C)
Return Loss	dB min	18	Room Temp (+25°C ± 10)
	dB min	18	Over Temp (-40°C ~ +85°C)
Avg Power	W	200	
Impedance	Ω	50	

Customer suggestion and confirmation:

Signature:

Date:

Design: Colin

Format Scale Version

A4 1:1 A

Date: 2016.7.11

Page 1, Total 1



Unit: mm

www.winnsky.com